

# ROAMEO

Rugged Observation Assistance  
Mobile Electronic Officer

## A FULLY FUNCTIONAL, MOBILE ROBOT

The guarding and security industries have waited long enough for a robot that it can count on. ROAMEO is here.

## ENGINEERED TO PERFORM

Towering nearly 7' tall and loaded with the power to traverse miles of rugged terrain - autonomously, before heading home to recharge.

## DESIGNED TO IMPRESS

More than just a powerhouse in security, guarding and deterrence, ROAMEO™ is the culmination of engineering, design and style.

## A ROBOT THAT CLIENTS WANT

ROAMEO is not a toy nor a gadget. ROAMEO will fundamentally transform your security services.

## MANUFACTURED TO ENDURE

As solid as it is secure, ROAMEO is built to withstand the elements, keep rolling along and deter any unwanted visitors.

## PRICED TO SUCCEED

Shipping in Q3, 2021 from RAD, ROAMEO's affordable subscription model makes deploying ROAMEO accessible to all end-users.



1-877-78-ROBOT

[info@roboticassistedevices.com](mailto:info@roboticassistedevices.com)

[www.roboticassistedevices.com](http://www.roboticassistedevices.com)

Details subject to change without notice.

ROAMEO is a trademark of  
ROBOTIC ASSISTANCE DEVICES, INC

RADROME02.0

ROBOTIC ASSISTANCE DEVICES, INC ©2021



## Unparalleled Technology Performance, Function and Awareness

- Cellular and WiFi connectivity
- 4 cameras providing a full 360° field of view
- Over-the-air software updates
- Customizable informational display that can feature any combination of video, image and text messages
- High visibility RGB LEDs
- Human detection analytics with SuspectSpotter™
- License plate recognition with LicenseSpotter™
- 24/7 equipment monitoring from RAD through the Remote Monitoring Center
- Long-range audio paging
- Credential validation and access control
- Close-range video intercom
- 2 large 21.5" tablets (1 per side) featuring security and concierge services, plus video conferencing with the SOC or guards in the field
- Security | Help | Panic button

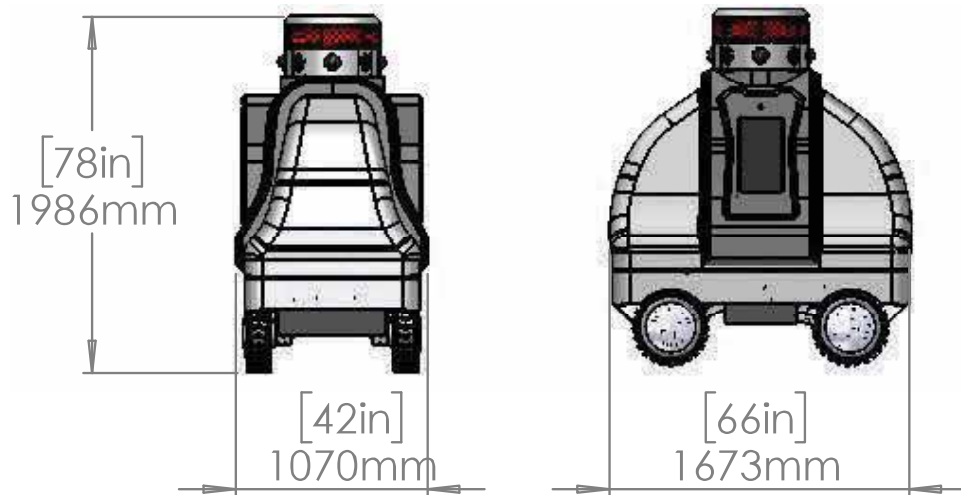


## ROAMEO, Unlike Anything Seen Before

Innovative from the ground up to its impressive 78" total height, ROAMEO™ is a robot unlike any deployed to date. ROAMEO takes all of RAD's industry-leading AI analytics, video surveillance capabilities, and interactive communications and puts them on the move, at speeds of up to 12 mph.

ROAMEO's 360-degree field-of-view routed through a robust analytic suite, all documented (HIPAA-compliant) securely on the cloud through enhanced cellular services will allow ROAMEO to map property patrol sites, plan and execute routes, avoid obstacles (i.e., people, trees, power posts), and collect and apply data to further optimize for precision and efficiency. The AI analytic suite powering ROAMEO enables the unit to identify vehicles, license plate numbers, and people, with facial recognition, even people wearing or not wearing face coverings.





**COMMUNICATION PROTOCOLS:**

Standard - Cellular (no IT requirements)	Bandwidth requirements (range based on activity of each unit): 5mbps
Fair or better AT&T signal required	
Verizon optional (extra cost)	
Optional (no cost) - client WiFi	Data Retention (summary - addition details available upon request):
IT Requirements as follows:	-Full frame/high quality video: Approximately 15 days onboard
-Inbound TCP connection: No ports need to be opened	-Detection events: 1 year
-Outbound TCP Connections: 80, 443, 4445, 5938, 8822-8825	-User activity: 1 year
If UDP: 5938	-Setup details: Until deleted/modified

*RAD software supports GDPR erasure requirements.*



# ROAMEO Version Feature Comparisons

Features	ROAMEO Version 1.0	ROAMEO Version 2.0
Dimensions	71.2" L x 42.2" W x 74.4" H 1.8m L x 1.1m W x 1.9m H	71.2" L x 47.6" W x 75.7" H 1.8m L x 1.2m W x 1.9m H
Top Speed	6.25 mph	7.5 mph
Cruising Speed	8.2 ft/s	8.2 ft/s
Wheel Size	16"	18.6"
Wheel Cover	Round, Flat ABS	Curved Aluminum, Custom Graphics
Bumper	2x Long	4x Short
LiDAR Locations	Above Turret	Integrated Inside Turret
Depth Cameras	4x Stereo Cameras	4x Stereo Cameras
Tablet w/ Internet Connection	2 x 21.6"	2 x 21.5"
Effect Lighting	Turret, Saddle	Turret, Saddle, Skirt Corners, Wheel Covers
Skirt Material	ABS	Aluminum
Weight	970 lbs. / 440 kg	970 lbs. / 440 kg
Wireless Charging	No	Yes
Battery Specifications	Lithium Ion 2.7 kWh	Nickel Cobalt Manganese 3.1 kWh
Battery Life Under Continuous Patrol	8 hours	10.6 hours
Battery Charging Time from 'Empty'	21.6 hours	9.6 hours
Total Distance Available on Flat Ground*	TBD	TBD
Operational Standby Time (RAD pack only) *	25.8 hours	28.7 hours
Turning Radius	0°	0°
Maintenance/Repairs	Difficult	'A' Frame Slides Out, Sub-Assemblies Easily Replaced
Depth of Water	2"	5"
Open Physical Gates	No	Yes, Unlimited
Range to Detect Obstacle for Route Planning (12" x 12" x 12")	Up to 30'	Up to 50'
Obstacle Climbing (i.e. curbs)	6"	8"
Ground Type	Asphalt, Grass, Turf, Gravel, Light Mud, Medium Snow	Asphalt, Grass, Turf, Gravel, Medium Mud, Medium Snow
Can Fit Through a Narrow Passage	8.86 ft.	8.86 ft.
Outdoor/Indoor Use	Outdoor Only	Outdoor / Indoor
Temperature Ratings	32°F to 95°F	14°F to 104°F
Snow Mode	No	Yes
Tow Mode	No	Yes
Wheel Homing	Requires Human to Align Wheels	Automatic
Autonomous Docking	No	Yes
Dashboard Control and Monitoring	No	Yes
Propulsion Motors	250W Brushed DC Motors - Top Speed = 6.25 mph - Max Incline < 10 degrees	1-2kW BLDC Motors + Disc Brakes - Top Speed = 7.5 mph - Max Incline = 20 degrees
LiDAR	3D LiDARs	3D LiDARs
GPS Provides heading	No	Yes
PLC	Non-Safety Rated	Safety Rated Ready
Steering Motors	Stepper Motors - Separate Driver - No IP Rating - Incremental Encoder	Stepper Motors - Integrated Driver - IP67 Rating - Absolute Encoder
LiDAR Based Odometry	No	Yes
Wheel Based Odometry	No	Yes
SLAM	No	Yes
Re-Localization	No	Yes
Obstacle Detection + Avoidance	No	Yes
Gunshot Detection Option	No	Yes, Future Option



As a complement to man-guarded situations, ROAMEO will also interact with people along its patrol route, providing necessary calls for help, panic buttons, security alerts, etc., plus an unlimited number of concierge services including local information, weather, directions, plus profit-generating advertising messaging.



ROAMEO 1.0 Shown

ROAMEO, poised to roll into town and ready for duty in Q3, 2021



ROAMEO 1.0 Shown



1-877-78-ROBOT

[info@roboticassistancedevices.com](mailto:info@roboticassistancedevices.com)

[www.roboticassistancedevices.com](http://www.roboticassistancedevices.com)

Available From