



AVA

Autonomous Verified Access

AVA is a compact and mountable unit that seamlessly integrates with all other RAD devices and provides an edge-to-edge 180° field of vision with advanced access control over gates and entries. As easy to install and scale as all RAD hardware, AVA deploys RAD's innovative artificial intelligence-based technologies to enhance an organization's situational awareness, communication, and control. AVA takes full advantage of the RAD Software Suite aimed at providing a comprehensive access control package that is ideal for storage yards, parking structures and lots, corporate campuses; anywhere that increased visibility is needed at a fraction of the cost.

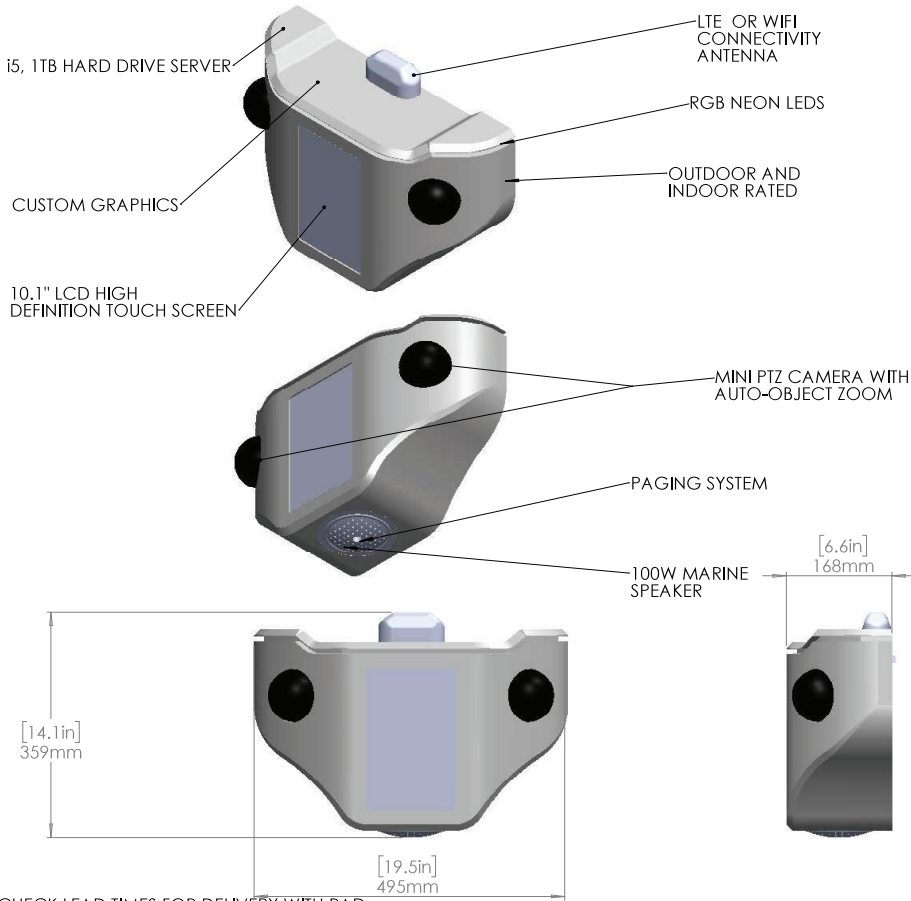
- Human detection and autonomous response
- Vehicle detection and autonomous response
- Perimeter intrusion detection, response and alerting
- Audio intervention
- Live stream to mobile app
- Unlimited user licenses
- Cellular optimized – no WiFi required
- Cloud served – no hardware at client site
- 20+ days recording of all video
- 1-year event recording in cloud
- License plate recognition
Requires specific positioning and RAD's 'BOLO Technologies' platform
- Virtual guard tour
- Two-way audio/video calls
- Audio talk-down
- Snapshot audit
- Virtual escort
- Audio/Video marketing
- Restricted area and zone management
- Owner audit reporting
- RAD's exclusive Face Mask Detection System



1-877-78-ROBOT

AVA

Technical Information



COMMUNICATION REQUIREMENTS:	
Standard - Cellular (no IT requirements)	Bandwidth requirements (range based on activity of each unit)
Fair or better AT&T signal required	-SCOT: 1 - 5mpbs
Verizon optional (extra cost)	-Wally/Rosa: 300k - 1.5mpbs
Optional (no cost) - client Wifi	Data Retention (summary - additional details available upon request):
IT Requirements as follows:	-Full frame/high quality video: Approximately 15 days onboard
-Inbound TCP connection: No ports need to be opened	SCOT/Wally/Rosa
-Outbound TCP Connections: 80, 443, 4445, 5938, 8822-8825	-Detection events: 1 year
If UDP: 5938	-User activity: 1 year
	-Setup details: Until deleted/modified
RAD software supports GDPR erasure requirements.	

*CHECK LEAD TIMES FOR DELIVERY WITH RAD
 **DETAILS SUBJECT TO CHANGE WITHOUT NOTICE



Available From

Servexo
 PROTECTIVE SERVICES

323-527-9994

www.servexousa.com

RADAVA

Details subject to change without notice.
 ROBOTIC ASSISTANCE DEVICES, INC ©2021