



AVA

Autonomous Verified Access

AVA is a compact and mountable unit that seamlessly integrates with all other RAD devices and provides an edge-to-edge 180° field of vision with advanced access control over gates and entries. As easy to install and scale as all RAD hardware, AVA deploys RAD's innovative artificial intelligence-based technologies to enhance an organization's situational awareness, communication, and control. AVA takes full advantage of the RAD Software Suite aimed at providing a comprehensive access control package that is ideal for storage yards, parking structures and lots, corporate campuses; anywhere that increased visibility is needed at a fraction of the cost.

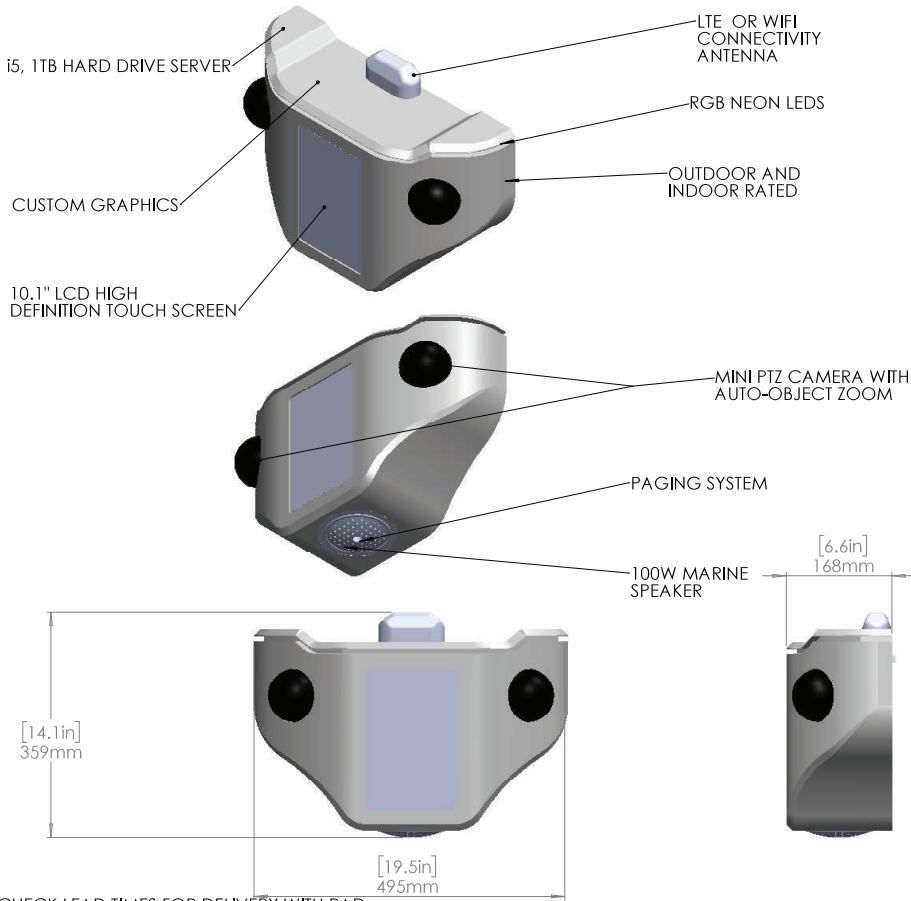
- Human detection and autonomous response
- Vehicle detection and autonomous response
- Perimeter intrusion detection, response and alerting
- Audio intervention
- Live stream to mobile app
- Unlimited user licenses
- Cellular optimized – no WiFi required
- Cloud served – no hardware at client site
- 20+ days recording of all video
- 1-year event recording in cloud
- License plate recognition
Requires specific positioning and RAD's 'BOLO Technologies' platform
- Virtual guard tour
- Two-way audio/video calls
- Audio talk-down
- Snapshot audit
- Virtual escort
- Audio/Video marketing
- Restricted area and zone management
- Owner audit reporting
- RAD's exclusive Face Mask Detection System



1-877-78-ROBOT

AVA

Technical Information



| COMMUNICATION REQUIREMENTS: | |
|---|---|
| Standard - Cellular (no IT requirements) | Bandwidth requirements (range based on activity of each unit) |
| Fair or better AT&T signal required | -SCOT: 1 - 5mpbs |
| Verizon optional (extra cost) | -Wally/Rosa: 300k - 1.5mpbs |
| Optional (no cost) - client Wifi | Data Retention (summary - additional details available upon request): |
| IT Requirements as follows: | -Full frame/high quality video: |
| -Inbound TCP connection: No ports need to be opened | Approximately 15 days onboard |
| -Outbound TCP Connections: 80, 443, 4445, 5938, 8822-8825 | SCOT/Wally/Rosa |
| If UDP: 5938 | -Detection events: 1 year |
| | -User activity: 1 year |
| | -Setup details: Until deleted/modified |

RAD software supports GDPR erasure requirements.

*CHECK LEAD TIMES FOR DELIVERY WITH RAD
 **DETAILS SUBJECT TO CHANGE WITHOUT NOTICE



Available From

St. Moritz

SECURITY SERVICES, INC.

800-218-9156

www.smssi.com