



ROBOTIC
ASSISTANCE DEVICES

AVA

Autonomous Verified Access

Meet AVA! This mountable unit seamlessly integrates with all other RAD devices and provides an edge-to-edge 180° field of vision. As easy to install and scale as all RAD hardware, AVA deploys RAD's innovative artificial intelligence-based technologies to enhance an organization's situational awareness, communication, and control. AVA takes full advantage of the RAD Software Suite aimed at providing a comprehensive access control package that is ideal for corporate campuses, parking structures, exterior areas, and lobbies and buildings; anywhere that increased visibility is needed at a fraction of the cost.

- Human detection and autonomous response
- Vehicle detection and autonomous response
- Perimeter intrusion detection, response and alerting
- Audio intervention
- Live stream to mobile app
- Unlimited user licenses
- Cellular optimized – no WiFi required
- Cloud served – no hardware at client site
- 20+ days recording of all video
- 1-year event recording in cloud
- License plate recognition
Requires specific positioning and RAD's 'BOLO Technologies' platform
- Virtual guard tour
- Two-way audio/video calls
- Audio talk-down
- Snapshot audit
- Virtual escort
- Audio/Video marketing
- Restricted area and zone management
- Owner audit reporting
- SPOT™, RAD's exclusive Face Mask Detection System available as part of RAD's Health Screening Option



Available With

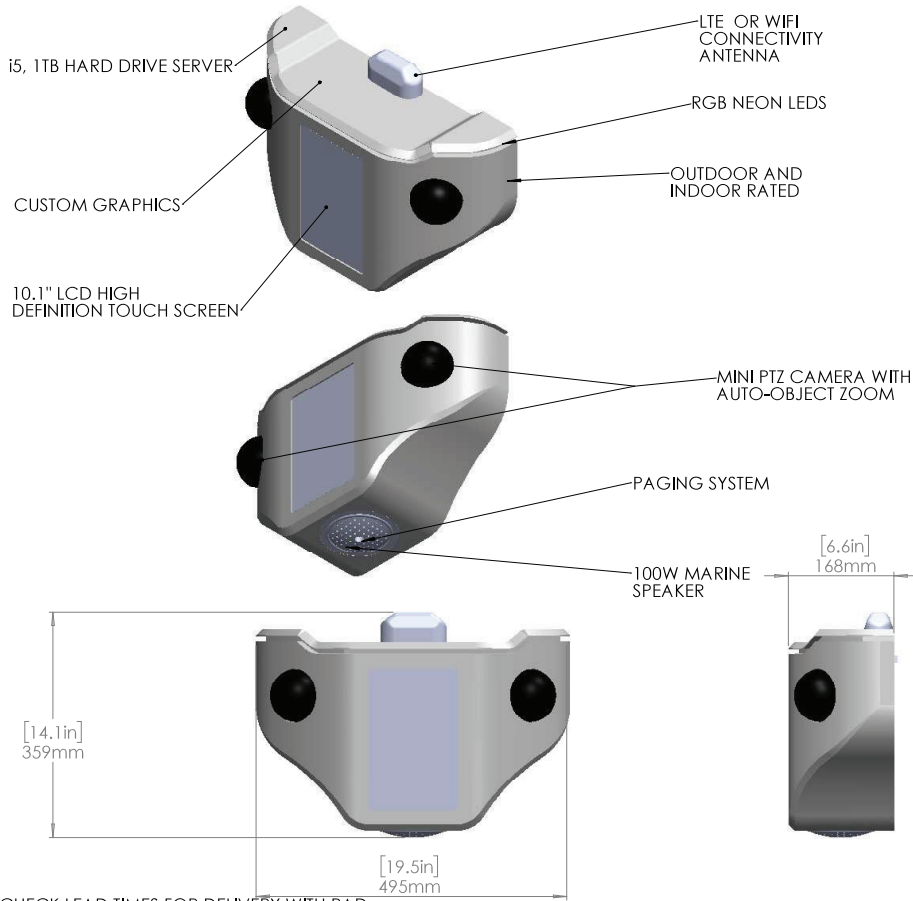


Safety PreDetection Technology
for Face Mask Detection & Alerts

1-887-78-ROBOT

AVA

Technical Information



*CHECK LEAD TIMES FOR DELIVERY WITH RAD
 **DETAILS SUBJECT TO CHANGE WITHOUT NOTICE

| COMMUNICATION REQUIREMENTS: | |
|---|--|
| Standard - Cellular (no IT requirements) Fair or better AT&T signal required Verizon optional (extra cost) | Bandwidth requirements (range based on activity of each unit) -SCOT: 1 - 5mpbs -Wally/Rosa: 300k - 1.5mpbs |
| Optional (no cost) - client Wifi IT Requirements as follows: -Inbound TCP connection: No ports need to be opened -Outbound TCP Connections: 80, 443, 4445, 5938, 8822-8825 If UDP: 5938 | Data Retention (summary - additional details available upon request): -Full frame/high quality video: Approximately 15 days onboard SCOT/Wally/Rosa -Detection events: 1 year -User activity: 1 year -Setup details: Until deleted/modified |
| RAD software supports GDPR erasure requirements. | |

Available From

